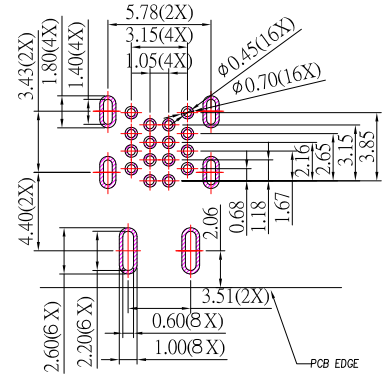


IPX7



SBC-WP160P-20x-S165

鍍層厚度:
Blank : 1u"
2 : 15u"
3 : 30u"



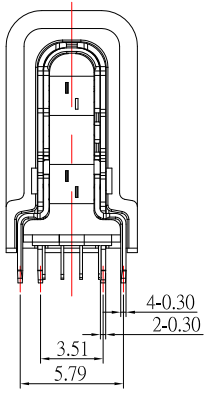
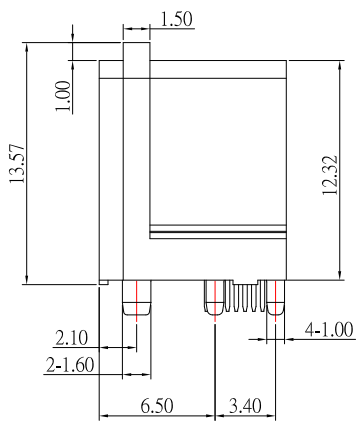
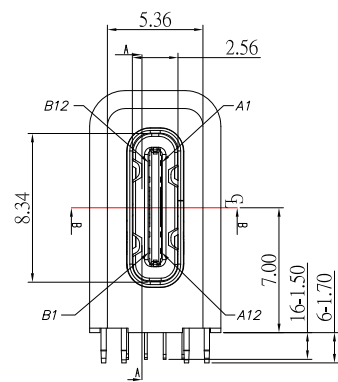
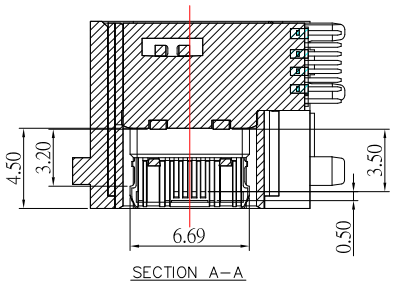
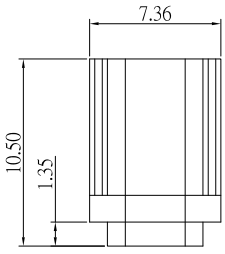
RECOMMENDED PCB LAYOUT

SPECIFICATIONS

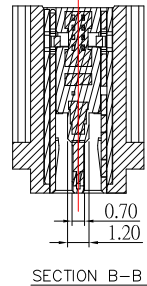
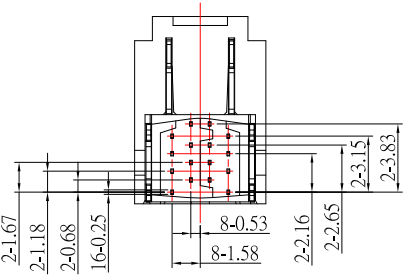
- Electrical:**
1. Rating: 20 V , 3.0 A
 2. Contact Resistance: 40 mΩ Max
 3. Insulation Resistance: 100 MΩ Min

- Mechanical:**
1. Connector Mate and Unmate Force
 - 1.1 Mate force: 5~20 N
 - 1.2 Unmate force: 8~20 N

- Material:**
1. Housing: LCP
 2. Contact: Copper Alloy
 3. Shell: SUS
- Finish:**
1. Contact: Plated Gold in Mating Area ;
Gold Plated on Solder Balls ;
Nickel under plated overall
 2. Shell: Nickel under Plated surface layer



PIN ASSIGNMENT											
A1	A2	A3	A4	A5	A6	A7	A8	A9	A10	A11	A12
GND	\	\	VBUS	CC1	Dp1	Dn1	SBU1	VBUS	\	\	GND
GND	\	\	VBUS	SBU2	Dn2	Dp2	CC2	VBUS	\	\	GND
B12	B11	B10	B9	B8	B7	B6	B5	B4	B3	B2	B1



CONTACT 建倚科技股份有限公司
CONTACT TECHNOLOGY CORP.

TOLERANCE UNLESS OTHERWISE STATED:
Up to 5 ±0.2
Above 5 ~ 15 ±0.3
Above 15 ~ 30 ±0.4
Above 30 ~ 50 ±0.5
Angle ±0.3

3RD. ANGEL'S

UNITS MM

DRAWN BY:	DATE	MAT'L	TITLE	CONNECTOR
Jack Lu	06/15/21	FINISH	MODLE	USB C TYPE 2.0 侧插母座 防水型IPX7
CHECKED BY:	DATE	SCALE	DWG NO.	SBC-WP160P-20x-S165
Jacky Chen	06/15/21	1 : 1	PART NO.	SBC-WP160P-20x-S165
APPROVED BY:	DATE	SHEET NO.	SIZE	A4
Tony Kao	06/15/21	1 of 1	VER	R

ITEM NO.	DESCRIPTION	DRAWN	DATE